

acesories

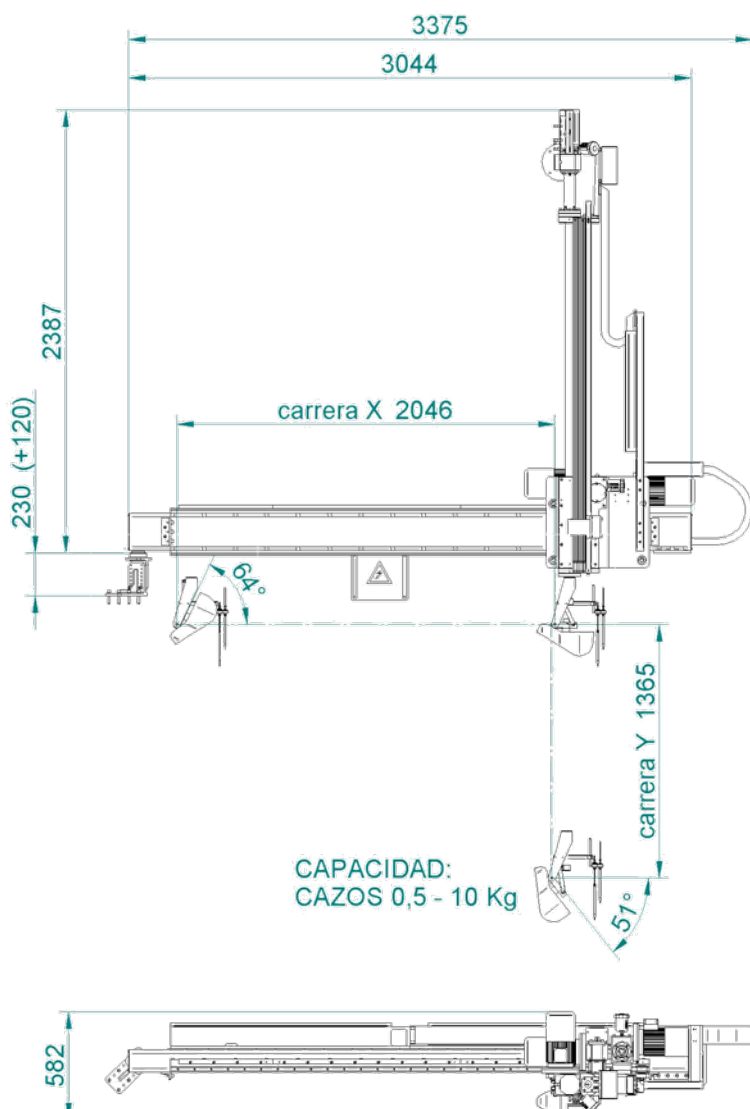
LINEAL FEEDER AL-1



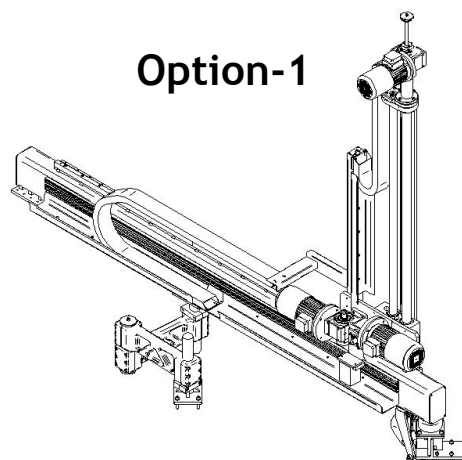
Gestintra
GRUPOGt

CARACTERISTICAS

DIMENSIONS (LENGTH x WIDTH) (VARIABLE LENGTHS FUNCTIONS DEPENDING ON CUSTOMER NEEDS)	(mm)	3370 x 549
WEIGHT (WITHOUT LADDLE AND LEGS)	(Kg)	505
WEIGHT VERTICAL LEG	(Kg)	120
ARTICULATED ARM	(Kg)	100
VERTICAL STROKE ↑↓ (REGULABLE)	(mm)	1364
VERTICAL MAX SPEED (REGULABLE WITH VARIATOR)	(m/s)	0,19
HORIZONTAL STROKE ↔ (STROKE FUNCTION DEPENDING ON CUSTOMER NEEDS) (REGULABLE)	(mm)	2030
HORIZONTAL MAX SPEED (REGULABLE WITH VARIATOR)	(m/s)	1,333
LADDLE CAPACITY	(KG)	0,5-10
LADDLE TURN ↑ (REGULABLE)	(°)	67
LADDLE TURN ↓ (REGULABLE)	(°)	49
LADDLE SPEED (REGULABLE WITH VARIATOR)	(m/s)	0,028
TENSION	(V)	380
ABSORVED POWER	(KW)	1,85
AUXILIARY TENSION	(V)	24



Option-1



Option-2

